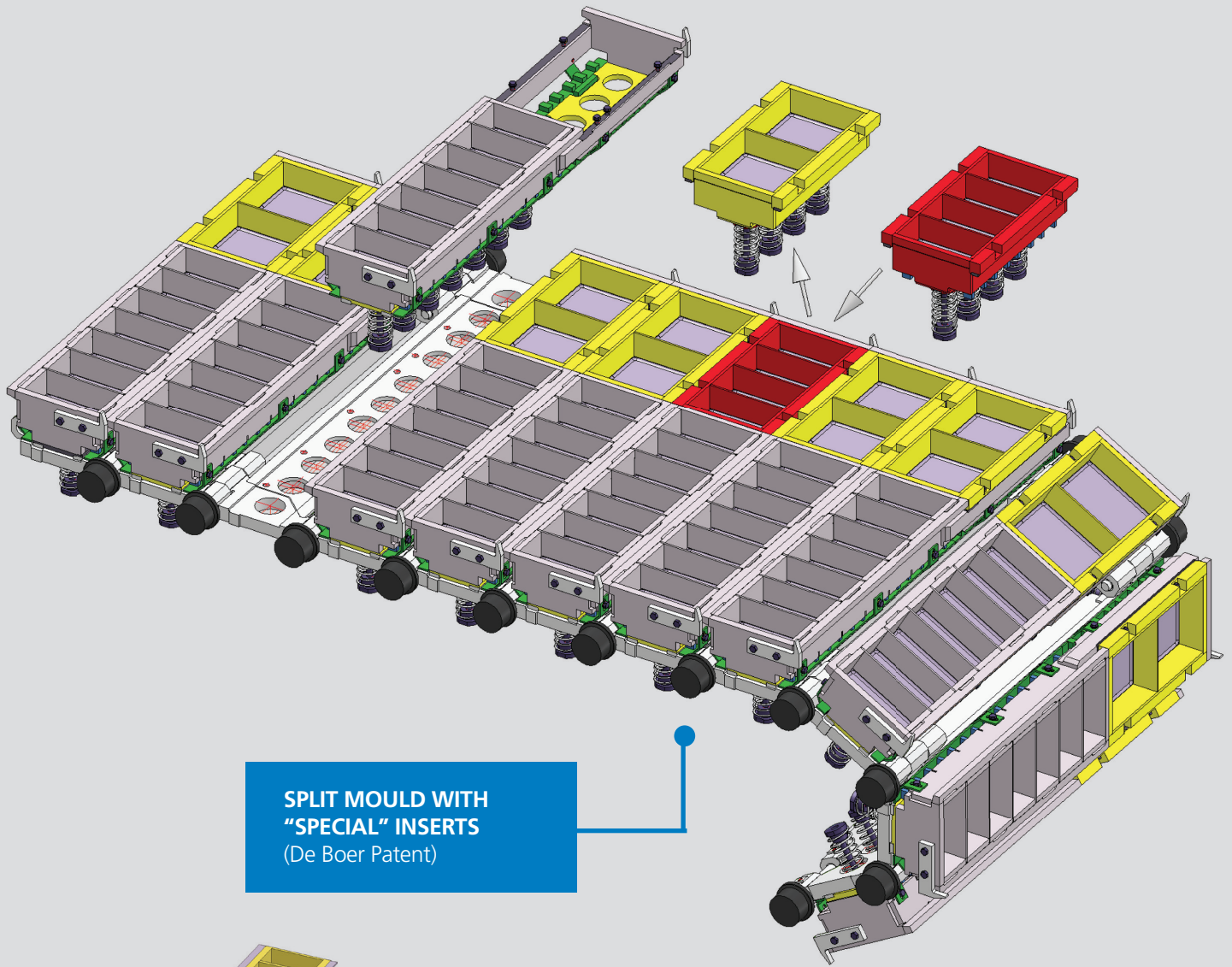




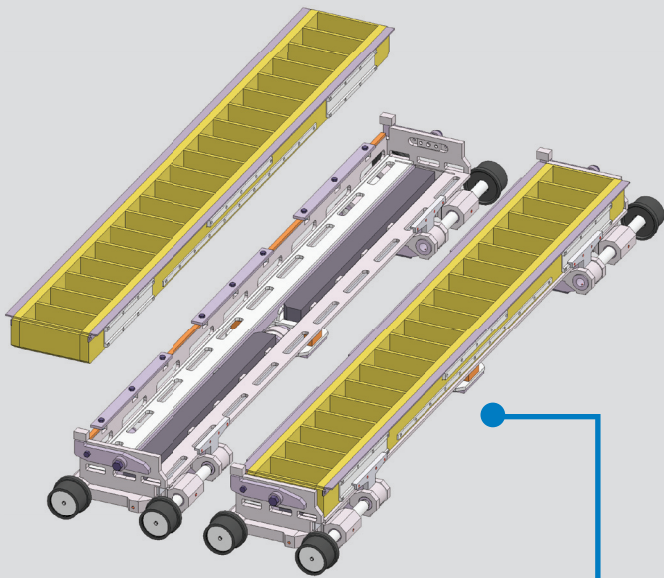
MOULD BOX SOLUTIONS



- From standard to very special
- Steel / hakorit / timber moulds
- From idea to reality
- 2 to 22 bricks per mould
- Loose and linked moulds
- Suitable for any filling system
- Flexible mould inserts
- Interchangeable moulds
- The only address you will ever need for expertly carried out repairs and refurbishment

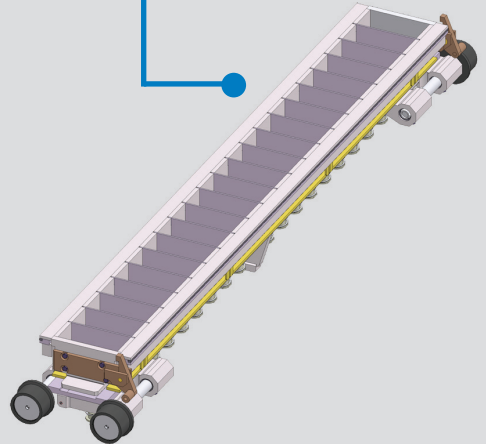


**SPLIT MOULD WITH
"SPECIAL" INSERTS**
(De Boer Patent)



SPLIT MOULD
(De Boer Patent)

SINGLE MOULD



De Boer Machines Nederland B.V.
Bijsterhuizen 2402
6604 LL Wijchen, The Netherlands

T + 31 (0)24 - 377 22 33
F + 31 (0)24 - 378 39 24
E info@deboermachines.nl

www.deboermachines.nl